

Standard Globe Valves

Carbon & Stainless Steel

Sizes 2" - 24"

Class 150 - 2500



Design and Manufacturing Standards

| | |
|---------------------------------|--|
| Basic Design | BS 1873 & ANSI/ASME B 16.34 |
| Shell Wall Thickness | BS 1873 & ANSI/ASME B 16.34 |
| Face to Face Dimension | ANSI/ASME B16.10 |
| Flange End Dimension | ANSI/ASME B16.5 |
| Butt-Weld End Dimension | ANSI/ASME B16.25 |
| Inspection & Testing | API 598 |

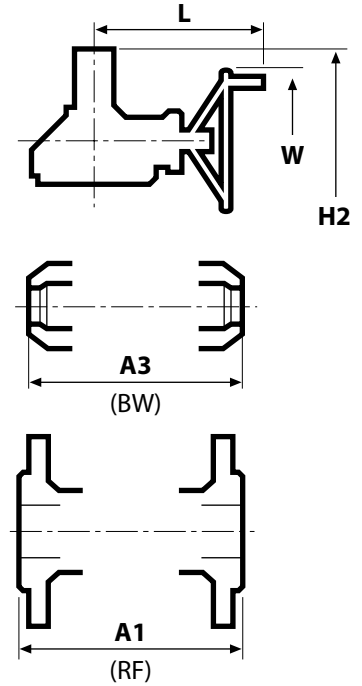
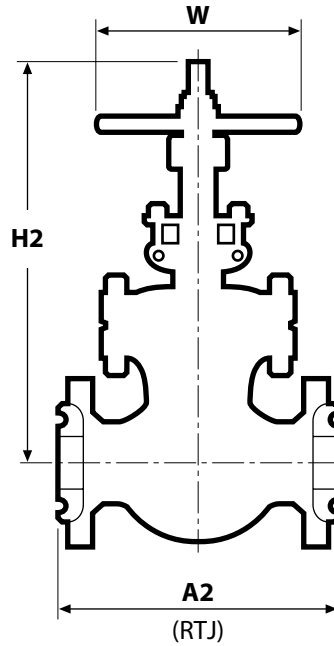
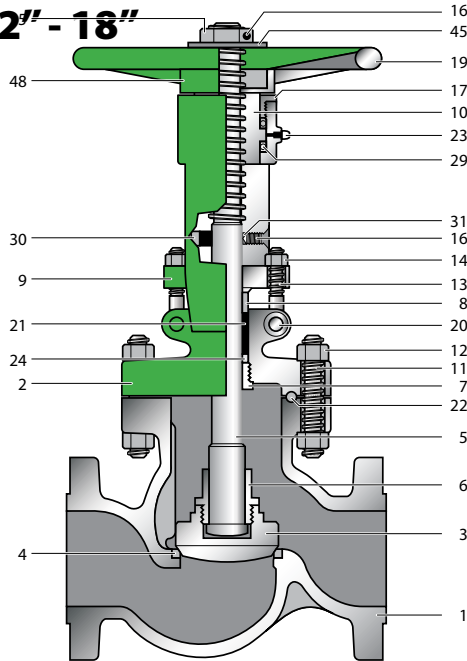


Southern California Valve

Carbon & Stainless Steel Globe Valves

Class 150 - 2500

2" - 18"



BILL OF MATERIAL

| NO | NAME OF PART | ASTM SPECIFICATION | | | | | | | |
|----|----------------|------------------------------------|--------------------------|-----------|-----------|--------------------------|-----------------|---------|--------|
| | | CARBON STEEL | HIGH TEMPERATURE SERVICE | | | LOW TEMPERATURE SERVICE | STAINLESS STEEL | | |
| 1 | BODY | A216-WCB | A217-WC6 | A217-WC9 | A217-C5 | A352-LCB/LCC/LC2/LC3 | CF8M | CF8C | |
| 2 | BONNET | A216-WCB | A217-WC6 | A217-WC9 | A217-C5 | A352-LCB/LCC/LC2/LC3/LCC | CF8M | CF8C | |
| 3 | DISC | A105+CR13 | A217-WC6 | A217-WC9 | A217-C5 | A352-LCB/LCC/LC2/LC3/LCC | CF8M | CF8C | |
| 4 | BODY SEAT RING | A105+HARD FACE | A182-F11 | A182-F22 | A182-F5a | A182-F304 | F316 | F347 | |
| 5 | STEM | A276-410 | A182-F6a | A182-F60 | A182-F6Q | A182-F304 | F316 | F347 | |
| 6 | DISC GLAND | A217-CA15 | A217-CA15 | A217-CA15 | A217-CA15 | A182-F304 | F316 | F347 | |
| 7 | BONNET BUSH | A276-410 | A276-410 | A276-410 | A276-410 | A276-304 | F316 | F347 | |
| 8 | PACKING GLAND | A276-410 | A276-410 | A276-410 | A276-410 | A276-304 | F316 | F347 | |
| 9 | GLAND FLANGE | A105 | A105 | A105 | A105 | A360-LF2 | CF8M | CF8C | |
| 10 | YOKE SLEEVE | A439-D2C | A439-D2C | A439-D2C | A439-D2C | B147-B8 | F316 | F347 | |
| 11 | BONNET BOLT | A193-B7M | A193-B16 | A193-B16 | A193-B16 | A320-L7M | A193-B8 | A193-B8 | |
| 12 | BONNET NUT | A194-2HM | A194-4 | A194-4 | A194-4 | A194-7M | A194-8 | A194-8 | |
| 13 | GLAND BOLT | A193-B7M | A193-B7 | A193-B7 | A193-B7 | A320-L7M | A193-B8 | A193-B8 | |
| 15 | HANDLE NUT | STEEL | | | | | | | |
| 16 | SET SCREW | STEEL | | | | | | | |
| 17 | SLEEVE GLAND | STEEL | | | | | | | |
| 19 | HANDWHEEL | A395 | | | | | | | |
| 14 | GLAND NUT | A194-2HM | A194-2H | A194-2H | A194-2H | A194-4 | A194-8 | A194-8 | |
| 20 | HINGE PIN | A276-410 | A276-410 | A276-410 | A276-410 | A276-304 | F316 | F347 | |
| 21 | PACKING | GRAPHITE | | | | | | | |
| 22 | GASKET | SPIRAL WOUND+GRAPHITE / RING JOINT | | | | | | | |
| 23 | GREASE NIPPLE | STEEL | | | | | | BRONZE | BRONZE |
| 24 | LANTERN | A276-410 | A276-410 | A276-410 | A276-410 | A276-304 | F316 | F347 | |
| 29 | BEARING | COMMERCIAL | | | | | | | |
| 30 | STOPPER | A283-D | | | | | | | |
| 31 | KEY | STEEL | | | | | | | |
| 45 | WASHER | STEEL | | | | | | | |
| 48 | IMPACT | A216-WCB | A217-WC6 | A217-WC9 | A217-C5 | A352-LCB/LCC/LC2/LC3 | CF8M | CF8C | |

CLASS 150 - CARBON & STAINLESS STEEL GLOBE VALVES

DIMENSIONS & WEIGHTS

| VALVE SIZE | nps | 2 | 2.5 | 3 | 4 | 6 | 8 | 10 | 12 | 14 | 16 | 18 | 20 | 24 |
|------------|-----|------|------|------|-------|-------|-------|-------|------|------|------|--------|-----|-----|
| | dn | 50 | 65 | 80 | 100 | 150 | 200 | 250 | 300 | 350 | 400 | 450 | 500 | 600 |
| A1 (RF) | in | 8.0 | 8.5 | 9.5 | 11.5 | 16.0 | 19.5 | 24.5 | 27.5 | 31.0 | 36.0 | 38.5 | / | / |
| | mm | 203 | 216 | 241 | 292 | 406 | 495 | 622 | 699 | 787 | 914 | 978 | / | / |
| A2 (RTJ) | in | / | / | / | / | / | / | / | / | / | / | / | / | / |
| | mm | / | / | / | / | / | / | / | / | / | / | / | / | / |
| A3 (BW) | in | 8.0 | 8.5 | 9.5 | 11.5 | 16.0 | 19.5 | 24.5 | 27.5 | 31.0 | 36.0 | 38.5 | / | / |
| | mm | 203 | 216 | 241 | 292 | 406 | 495 | 622 | 699 | 787 | 914 | 978 | / | / |
| H2 | in | 15.3 | 14.8 | 17.0 | 19.5 | 22.6 | 28.0 | 31.4 | 39.1 | 54.6 | 53.4 | 78.0 | / | / |
| | mm | 388 | 376 | 433 | 495 | 574 | 710 | 797 | W2 | 1387 | 1356 | 1980 | / | / |
| W | in | 7.9 | 8.8 | 8.8 | 9.8 | 14.0 | 14.0 | 17.7 | 17.7 | 22.0 | 22.0 | 24.0 | / | / |
| | mm | 200 | 224 | 224 | 250 | 355 | 355 | 450 | 450 | 560 | 560 | 610 | / | / |
| L | in | / | / | / | / | / | / | / | / | 16.3 | 16.3 | 17.0 | / | / |
| | mm | / | / | / | / | / | / | / | / | 414 | 414 | 432 | / | / |
| WGT (RF) | lb | 44.1 | 77.2 | 88.2 | 123.5 | 229.3 | 401.3 | 650.5 | 904 | 1510 | 1985 | 3969.0 | / | / |
| | kg | 20 | 35 | 40 | 56 | 104 | 182 | 295 | 410 | 685 | 903 | 1800 | / | / |
| WGT (BW) | lb | 33.1 | 66.2 | 70.6 | 90.4 | 183.0 | 330.8 | 496.1 | 728 | 1312 | 1764 | 3638.3 | / | / |
| | kg | 15 | 30 | 32 | 41 | 83 | 150 | 225 | 330 | 595 | 800 | 1650 | / | / |

CLASS 300 - CARBON & STAINLESS STEEL GLOBE VALVES

DIMENSIONS & WEIGHTS

| VALVE SIZE | nps | 2 | 2.5 | 3 | 4 | 6 | 8 | 10 | 12 | 14 | 16 | 18 | 20 | 24 |
|------------|-----|-------|-------|-------|-------|-------|-------|--------|--------|--------|--------|-----|-----|-----|
| | dn | 50 | 65 | 80 | 100 | 150 | 200 | 250 | 300 | 350 | 400 | 450 | 500 | 600 |
| A1 (RF) | in | 10.5 | 11.5 | 12.5 | 14.0 | 17.5 | 22.0 | 24.5 | 28.0 | 33.0 | 34.0 | / | / | / |
| | mm | 267 | 292 | 318 | 357 | 445 | 559 | 622 | 711 | 838 | 864 | / | / | / |
| A2 (RTJ) | in | 11.12 | 12.12 | 13.12 | 14.62 | 18.12 | 22.62 | 25.12 | 28.62 | 39.62 | 42.62 | / | / | / |
| | mm | 283 | 308 | 333 | 371 | 460 | 575 | 638 | 727 | 1006 | 1083 | / | / | / |
| A3 (BW) | in | 10.5 | 11.5 | 12.5 | 14.0 | 17.5 | 22.0 | 24.5 | 28.0 | 33.0 | 34.0 | / | / | / |
| | mm | 267 | 292 | 318 | 357 | 444 | 559 | 622 | 711 | 838 | 864 | / | / | / |
| H2 | in | 15.6 | 16.3 | 18.2 | 21.7 | 29.2 | 31.5 | 44.6 | 46.1 | 56.5 | 70.7 | / | / | / |
| | mm | 396 | 415 | 462 | 550 | 741 | 800 | 1132 | 1172 | 1435 | 1797 | / | / | / |
| W | in | 7.9 | 8.8 | 9.8 | 14.0 | 17.7 | 22.0 | 22.0 | 28.0 | 28.0 | 31.5 | / | / | / |
| | mm | 200 | 224 | 250 | 355 | 450 | 560 | 560 | 710 | 710 | 800 | / | / | / |
| L | in | / | / | / | / | / | / | 16.3 | 18.4 | 18.4 | 20.7 | / | / | / |
| | mm | / | / | / | / | / | / | 414 | 468 | 468 | 526 | / | / | / |
| WGT (RF) | lb | 70.6 | 92.6 | 141.0 | 220.5 | 419.0 | 595.4 | 1168.7 | 2240 | 2546.8 | 3748.5 | / | / | / |
| | Kg | 32 | 42 | 64 | 100 | 190 | 270 | 530 | 1016 | 1155 | 1700 | / | / | / |
| WGT (BW) | lb | 66.2 | 66.2 | 105.8 | 194.0 | 328.5 | 441 | 970.2 | 1997.7 | 2216 | 3309.7 | / | / | / |
| | Kg | 30 | 30 | 48 | 88 | 149 | 200 | 440 | 906 | 1005 | 1501 | / | / | / |

CLASS 600 - CARBON & STAINLESS STEEL GLOBE VALVES

DIMENSIONS & WEIGHTS

| VALVE SIZE | nps | 2 | 2.5 | 3 | 4 | 6 | 8 | 10 | 12 | 14 | 16 |
|------------|-----|-------|-------|-------|-------|-------|-------|-------|--------|--------|--------|
| | dn | 50 | 65 | 80 | 100 | 150 | 200 | 250 | 300 | 350 | 400 |
| A1 (RF) | in | 11.5 | 13.0 | 14.0 | 17.0 | 22.0 | 26.0 | 31.0 | 33.0 | 35.0 | 39.0 |
| | mm | 292 | 330 | 356 | 432 | 559 | 660 | 787 | 838 | 889 | 991 |
| A2 (RTJ) | in | 11.62 | 13.12 | 14.12 | 17.12 | 22.12 | 26.12 | 31.12 | 33.12 | 35.12 | 39.12 |
| | mm | 295 | 333 | 359 | 435 | 562 | 664 | 790 | 841 | 892 | 994 |
| A3 (BW) | in | 11.5 | 13.0 | 14.0 | 17.0 | 22.0 | 26.0 | 31.0 | 33.0 | 35.0 | 39.0 |
| | mm | 292 | 330 | 356 | 432 | 559 | 660 | 787 | 838 | 889 | 991 |
| H2 | in | 16.0 | 19.8 | 19.9 | 22.4 | 29.9 | 51.8 | 59.5 | 69.9 | 70.9 | 76.0 |
| | mm | 407 | 502 | 505 | 568 | 759 | 1315 | 1511 | 1775 | 1800 | 1930 |
| W | in | 8.8 | 9.8 | 11.0 | 14.0 | 17.7 | 28.0 | 31.5 | 35.4 | 35.4 | 35.4 |
| | mm | 224 | 250 | 280 | 355 | 450 | 710 | 800 | 900 | 900 | 900 |
| L | in | / | / | / | / | / | 18.4 | 20.7 | 26.4 | 26.4 | 26.4 |
| | mm | / | / | / | / | / | 468 | 626 | 670 | 670 | 670 |
| WGT (RF) | lb | 94.8 | 154.4 | 172.0 | 300.0 | 619.6 | 1301 | 2099 | 3528 | 5953.5 | 7938.0 |
| | kg | 43 | 70 | 78 | 136 | 281 | 590 | 952 | 1600 | 2700 | 3600 |
| WGT (BW) | lb | 72.8 | 121.3 | 132.3 | 216.1 | 454.2 | 1125 | 1746 | 3263.4 | 5534.6 | 7386.8 |
| | kg | 33 | 55 | 60 | 98 | 206 | 510 | 792 | 1480 | 2510 | 3350 |

CLASS 900 - CARBON & STAINLESS STEEL GLOBE VALVES

DIMENSIONS & WEIGHTS

| VALVE SIZE | nps | 2 | 2.5 | 3 | 4 | 6 | 8 | 10 | 12 | 14 | 16 |
|------------|-----|-------|-------|-------|-------|--------|--------|--------|--------|--------|--------|
| | dn | 50 | 65 | 80 | 100 | 150 | 200 | 250 | 300 | 350 | 400 |
| A1 (RF) | in | 14.5 | 16.5 | 15.0 | 18.0 | 24.0 | 29.0 | 33.0 | 38.0 | 40.5 | 44.5 |
| | mm | 368 | 419 | 381 | 457 | 610 | 737 | 838 | 965 | 1029 | 1130 |
| A2 (RTJ) | in | 14.62 | 16.62 | 15.12 | 18.12 | 24.12 | 29.12 | 33.12 | 38.12 | 40.88 | 44.88 |
| | mm | 371 | 422 | 384 | 460 | 613 | 740 | 841 | 968 | 1038 | 1140 |
| A3 (BW) | in | 14.5 | 16.5 | 15.0 | 18.0 | 24.0 | 29.0 | 33.0 | 38.0 | 40.5 | 44.5 |
| | mm | 368 | 419 | 381 | 457 | 610 | 737 | 838 | 965 | 1029 | 1130 |
| H2 | in | 27.4 | 27.3 | 30.5 | 33.7 | 50.7 | 65.6 | 63.0 | 67.1 | 87.0 | 103.1 |
| | mm | 695 | 695 | 775 | 855 | 1288 | 1665 | 1600 | 1705 | 2210 | 2620 |
| W | in | 15.7 | 15.7 | 15.7 | 15.7 | 22.0 | 31.5 | 31.5 | 35.4 | 35.4 | 35.4 |
| | mm | 400 | 400 | 400 | 400 | 560 | 800 | 800 | 900 | 900 | 900 |
| L | in | / | / | / | / | 16.3 | 20.7 | 20.7 | 26.4 | 26.4 | 26.4 |
| | mm | / | / | / | / | 414 | 526 | 526 | 670 | 670 | 670 |
| WGT (RF) | lb | 271.2 | 341.8 | 231.5 | 441 | 1101.5 | 2756.3 | 4520.3 | 5843.3 | 8048.3 | 9481.5 |
| | kg | 123 | 155 | 105 | 200 | 500 | 1250 | 2050 | 2650 | 3650 | 4300 |
| WGT (BW) | lb | 205.1 | 264.6 | 196.2 | 335.2 | 903.2 | 2425.5 | 4123.4 | 5292.0 | 7386.8 | 8600.0 |
| | kg | 93 | 120 | 89 | 152 | 410 | 1100 | 1870 | 2400 | 3350 | 3900 |

CLASS 1500 - CARBON & STAINLESS STEEL GLOBE VALVES

DIMENSIONS & WEIGHTS

| VALVE SIZE | nps | 2 | 2.5 | 3 | 4 | 6 | 8 | 10 | 12 | 14 | 16 |
|------------|-----|-------|-------|-------|-------|--------|--------|--------|--------|---------|---------|
| | dn | 50 | 65 | 80 | 100 | 150 | 200 | 250 | 300 | 350 | 400 |
| A1 (RF) | in | 14.5 | 16.5 | 18.5 | 21.5 | 27.75 | 32.75 | 39.0 | 44.5 | 49.5 | 54.5 |
| | mm | 368 | 419 | 470 | 546 | 705 | 832 | 991 | 1130 | 1257 | 1384 |
| A2 (RTJ) | in | 14.62 | 16.62 | 18.62 | 21.62 | 28.0 | 33.13 | 39.38 | 45.12 | 50.25 | 55.38 |
| | mm | 371 | 422 | 473 | 549 | 711 | 841 | 1000 | 1046 | 1276 | 1407 |
| A3 (BW) | in | 14.5 | 16.5 | 18.5 | 21.5 | 27.75 | 32.75 | 39.0 | 44.5 | 49.5 | 54.5 |
| | mm | 368 | 419 | 470 | 546 | 705 | 832 | 991 | 1130 | 1257 | 1384 |
| H2 | in | 27.4 | 27.3 | 31.5 | 40.0 | 53.0 | 77.2 | 91.0 | 105.1 | 126.0 | 160.0 |
| | mm | 695 | 695 | 799 | 1015 | 1345 | 1960 | 2310 | 2670 | 3200 | 4064 |
| W | in | 15.7 | 15.7 | 19.7 | 19.7 | 28.0 | 28.0 | 30.0 | 30.0 | 30.0 | 30.0 |
| | mm | 400 | 400 | 500 | 500 | 710 | 710 | 760 | 760 | 760 | 760 |
| L | in | / | / | / | / | 18.4 | 18.4 | 20.2 | 20.2 | 22.3 | 22.3 |
| | mm | / | / | / | / | 468 | 468 | 512 | 512 | 567 | 567 |
| WGT (RF) | lb | 271.2 | 341.8 | 396.9 | 749.7 | 1482 | 4630.5 | 7056.0 | 9702.0 | 11907.0 | 14773.5 |
| | kg | 123 | 155 | 180 | 340 | 672 | 2100 | 3200 | 4400 | 5400 | 6700 |
| WGT (BW) | lb | 205.1 | 264.6 | 297.7 | 621.8 | 1217.1 | 4190.0 | 6174.0 | 8379.0 | 10363.5 | 12789.0 |
| | kg | 93 | 120 | 135 | 282 | 552 | 1900 | 2800 | 3800 | 4700 | 5800 |

CLASS 2500 - CARBON & STAINLESS STEEL GLOBE VALVES

DIMENSIONS & WEIGHTS

| VALVE SIZE | nps | 2 | 2.5 | 3 | 4 | 6 | 8 | 10 | 12 |
|------------|-----|-------|-------|-------|--------|--------|---------|---------|---------|
| | dn | 50 | 65 | 80 | 100 | 150 | 200 | 250 | 300 |
| A1 (RF) | in | 17.75 | 20.0 | 22.75 | 26.5 | 36.0 | 40.25 | 50.0 | 56.0 |
| | mm | 451 | 508 | 578 | 673 | 914 | 1022 | 1270 | 1422 |
| A2 (RTJ) | in | 17.87 | 20.25 | 23.0 | 26.88 | 36.5 | 40.87 | 50.88 | 56.88 |
| | mm | 454 | 514 | 584 | 683 | 927 | 1038 | 1292 | 1445 |
| A3 (BW) | in | 17.75 | 20.0 | 22.75 | 26.5 | 36.0 | 40.25 | 50.0 | 56.0 |
| | mm | 451 | 508 | 578 | 673 | 914 | 1022 | 1270 | 1422 |
| H2 | in | 28.3 | 31.5 | 34.8 | 50.0 | 75.0 | 97.0 | 110.2 | 138.0 |
| | mm | 720 | 800 | 885 | 1260 | 1905 | 2465 | 2800 | 3505 |
| W | in | 15.7 | 19.7 | 19.7 | 24.0 | 24.0 | 30.0 | 30.0 | 30.0 |
| | mm | 400 | 500 | 500 | 610 | 610 | 760 | 760 | 760 |
| L | in | / | / | / | 20.2 | 17.0 | 22.3 | 22.3 | 22.3 |
| | mm | / | / | / | 512 | 432 | 567 | 567 | 567 |
| WGT (RF) | lb | 419.0 | 661.5 | 771.8 | 1852.2 | 5071.5 | 10584.0 | 14994.0 | 18742.5 |
| | kg | 190 | 300 | 350 | 840 | 2300 | 4800 | 6800 | 8500 |
| WGT (BW) | lb | 352.8 | 529.2 | 617.4 | 1521.5 | 4410.0 | 9702.0 | 13230.0 | 16537.5 |
| | kg | 160 | 240 | 280 | 690 | 2000 | 4400 | 6000 | 7500 |