

# Pressure Seal Swing & Tilting Disc Check Valves

## Carbon & Stainless Steel

**Sizes 2" - 24"**

**Class 600 - 2500**



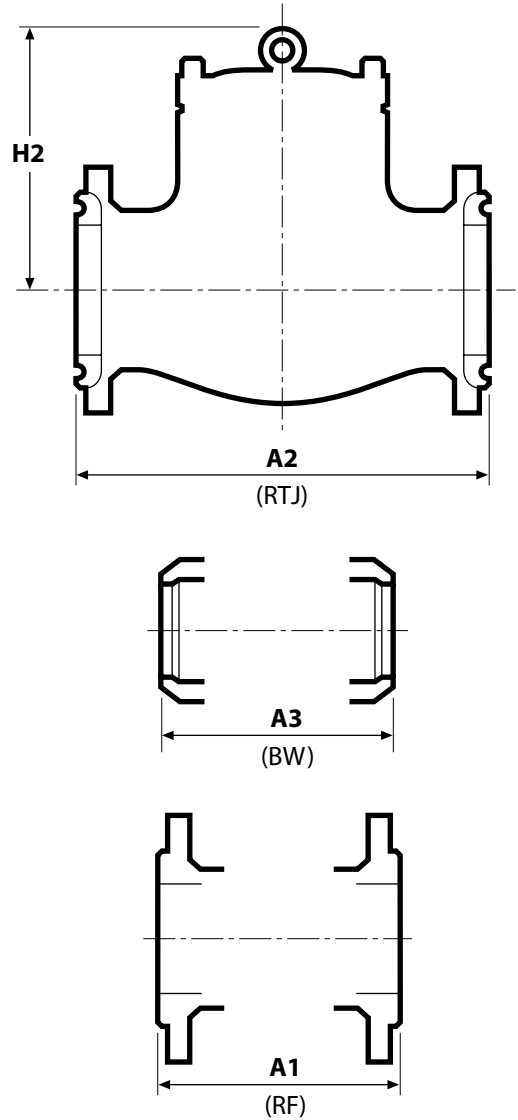
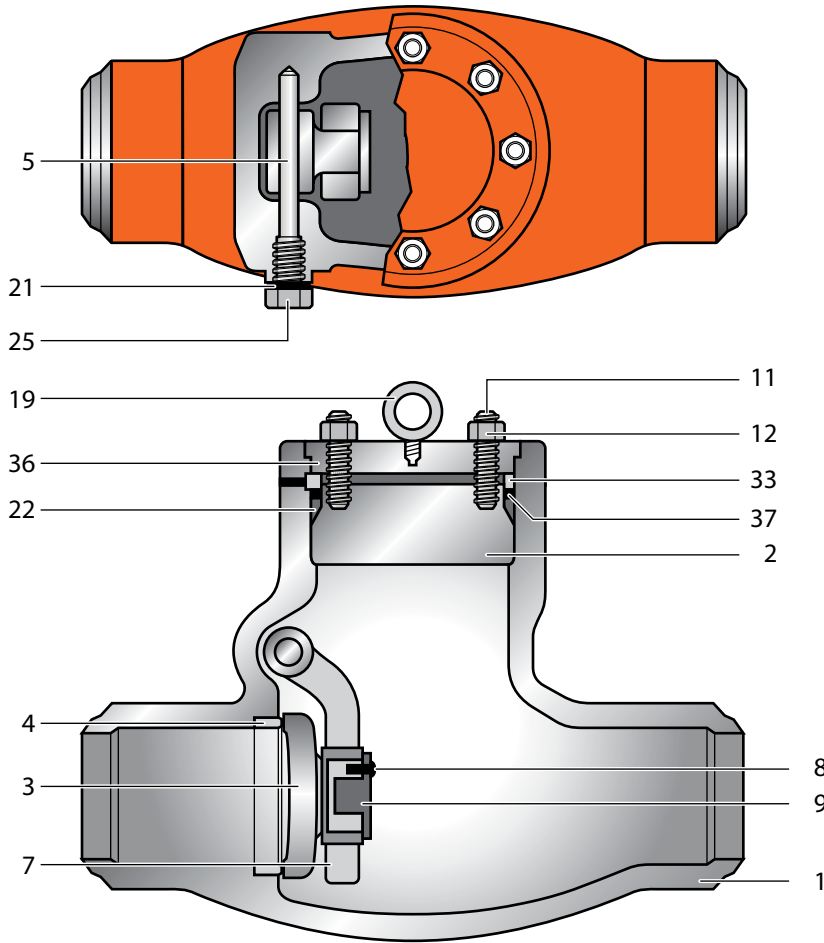
### Design and Manufacturing Standards

<b>Basic Design</b>	<b>ANSI/ASME B 16.34</b>
<b>Face to Face Dimension</b>	<b>ANSI/ASME B16.10</b>
<b>Flange End Dimension</b>	<b>ANSI/ASME B16.5</b>
<b>Butt-Weld End Dimension</b>	<b>ANSI/ASME B16.25</b>
<b>Inspection &amp; Testing</b>	<b>API 598</b>



Southern California Valve

## 2" - 24"



### BILL OF MATERIAL

NO	NAME OF PART	ASTM SPECIFICATION							
		CARBON STEEL	HIGH TEMPERATURE SERVICE			LOW TEMPERATURE SERVICE	STAINLESS STEEL		
1	BODY	A216-WCB	A217-WC6	A217-WC9	A217-C5	A352-LCB/LC2/LC3	CF8M	CF8C	
2	COVER	A216-WCB	A217-WC6	A217-WC9	A217-C5	A352-LCB/LC2/LC3	CF8M	CF8C	
3	DISC	A217-CA15	A217-WC6	A217-WC9	A217-C5	A352-LCB/LC2/LC3	CF8M	CF8C	
4	BODY SEAT RING	A105+HARD FACE	A182-F11	A182-F22	A182-F5Q	A182-F304	F316	F347	
5	HINGE PIN	A276-410	A276-410	A276-410	A276-410	A276-304	F316	F347	
7	ARM	A216-WCB	A217-WC6	A217-WC9	A217-C5	A352-LC1/LC2/LC3	CF8M	CF8C	
8	SET BOLT	AISI 304						A193-B8	A193-B8
9	DISC COVER	AISI 304						CF8M	CF8C
11	BONNET BOLT	A193-B7	A193-B16	A193-B16	A193-B16	A320-L7	A193-B8	A193-B8	
12	BONNET NUT	A194-2H	A194-4	A194-4	A194-4	A194-4	A194-8	A194-8	
19	EYE BOLT	A105						SS	SS
21	PLUG GASKET	COMMERCIAL							
22	GASKET	RING JOINT							
25	PLUG	A194-2H	A194-2H	A194-2H	A194-2H	A194-4	F316	F316	
33	RETAINER	A276-410	A276-410	A276-410	A276-410	A276-304	F316	F347	
36	BONNET CLAMP	A216-WCB	A217-WC6	A217-WC9	A217-C5	A352-LCB/LC2/LC3	CF8M	CF8C	
37	GASKET SPACER	A276-410	A276-410	A276-410	A276-410	A276-304	F316	F347	

## CLASS 600 - CARBON & STAINLESS STEEL PRESSURE SEAL SWING CHECK VALVES

### DIMENSIONS & WEIGHTS

VALVE SIZE	nps	2	2.5	3	4	6	8	10	12	14	16	18	20	24
	ds	50	65	80	100	150	200	250	300	350	400	450	500	600
A1 (RF)	in	7.0	8.5	10.0	12.0	18.0	23.0	28.0	32.0	35.0	39.0	43.0	47.0	55.0
	mm	178	216	254	305	457	584	711	813	889	991	1092	1194	1397
A2 (RTJ)	in	11.5	13.0	14.0	17.0	22.0	26.0	31.0	33.0	35.0	39.0	43.0	47.0	55.0
	mm	292	330	356	432	559	660	787	838	889	991	1092	1194	1397
A3 (BW)	in	11.62	13.12	14.12	17.12	22.12	26.12	31.12	33.12	35.12	39.12	43.12	47.25	55.38
	mm	295	333	359	435	562	663	790	841	892	994	1095	1200	1407
H2	in	9.5	10.4	10.6	12.5	15.7	23.1	23.9	27.4	29.5	28.7	28.7	32.2	37.4
	mm	241	264	270	318	400	587	606	695	749	730	730	819	949
WGT (RF)	lb	59.5	77.2	99.2	187.4	419.0	771.8	1102.5	1477.4	1940.4	2535.8	3263.4	4145.4	5733.0
	kg	27	35	45	85	190	350	500	670	880	1150	1480	1880	2600
WGT (BW)	lb	39.7	55.1	70.6	121.3	286.7	573.3	815.9	1080.5	1455.3	1874.3	2425.5	3285.5	4498.2
	kg	18	25	32	55	130	260	370	490	660	850	1100	1490	2040

## CLASS 900 - CARBON & STAINLESS STEEL PRESSURE SEAL SWING CHECK VALVES

### DIMENSIONS & WEIGHTS

VALVE SIZE	nps	2	2.5	3	4	6	8	10	12	14	16	18	20	24
	ds	50	65	80	100	150	200	250	300	350	400	450	500	600
A1 (BW)	in	8.5	10.0	12.0	14.0	20.0	26.0	31.0	36.0	39.0	43.0	46.5	50.5	59.5
	mm	216	254	305	356	508	660	787	914	991	1092	1181	1283	1511
A2 (RF)	in	14.5	16.5	15.0	18.0	24.0	29.0	33.0	38.0	40.5	44.5	48.0	52.0	61.0
	mm	368	419	381	457	610	737	838	965	1029	1130	1219	1321	1549
A3 (RTJ)	in	14.62	16.62	15.12	18.12	24.13	29.12	33.12	38.12	40.88	44.88	48.5	52.5	61.75
	mm	371	422	384	460	613	740	841	968	1038	1140	1232	1334	1568
H2	in	9.5	10.4	10.6	12.5	15.7	23.1	23.9	27.4	29.5	28.7	33.5	33.3	37.8
	mm	241	264	270	318	400	587	606	695	749	730	851	864	959
WGT (RF)	lb	88.2	121.3	114.7	231.5	507.2	1256.9	1874.3	2866.5	3417.8	3638.3	5071.5	6615.0	9040.5
	kg	40	55	52	105	230	570	850	1300	1550	1650	2300	3000	4100
WGT (BW)	lb	44.1	70.6	66.2	143.3	352.8	970.2	1521.5	2249.1	2690.1	2976.8	4079.3	5292.0	6394.5
	kg	20	32	30	65	160	440	690	1020	1220	1350	1850	2400	2900

## CLASS 1500 - CARBON & STAINLESS STEEL PRESSURE SEAL SWING CHECK VALVES

### DIMENSIONS & WEIGHTS

VALVE SIZE	nps	2	2.5	3	4	6	8	10	12	14	16	18	20	24
	ds	50	65	80	100	150	200	250	300	350	400	450	500	600
A1 (BW)	in	8.5	10.0	12.0	16.0	22.0	28.0	34.0	39.0	42.0	47.0	53.0	58.0	64.0
	mm	216	254	305	406	559	711	864	991	1067	1194	1346	1473	1626
A2 (RF)	in	14.5	16.5	18.5	21.5	27.75	32.75	39.0	44.5	49.5	54.5	60.5	65.5	76.5
	mm	368	419	470	546	705	832	991	1130	1257	1384	1537	1664	1943
A3 (RTJ)	in	14.62	16.62	18.62	21.62	28.0	33.13	39.38	45.12	50.25	55.38	61.38	66.38	77.62
	mm	371	422	473	549	711	842	1000	1146	1276	1407	1559	1686	1972
H2	in	9.5	10.4	10.6	12.5	15.7	18.9	23.3	25.4	28.0	29.5	34.6	37.4	43.3
	mm	241	264	270	318	400	479	591	645	711	749	880	949	1099
WGT (RF)	lb	88.2	121.3	220.5	308.7	882.0	1345.1	2315.3	3417.8	4630.5	5733.0	7276.5	9261.0	13230.0
	kg	40	55	100	140	400	610	1050	1550	2100	2600	3300	4200	6000
WGT (BW)	lb	44.1	70.6	88.2	154.4	617.4	1058.4	1631.7	2425.5	3109.1	3528.0	4630.5	3733.0	7717.5
	kg	20	32	40	70	280	480	740	1100	1410	1600	2100	2600	3500

## CLASS 2500 - CARBON & STAINLESS STEEL PRESSURE SEAL SWING CHECK VALVES

### DIMENSIONS & WEIGHTS

VALVE SIZE	nps	2	2.5	3	4	6	8	10	12	14	16	18
	ds	50	65	80	100	150	200	250	300	350	400	450
A1 (BW)	in	11.0	13.0	14.5	18.0	24.0	30.0	36.0	41.0	44.0	49.0	55.0
	mm	279	330	368	457	610	762	914	1041	1118	1245	1397
A2 (RF)	in	17.75	20.0	22.75	26.5	36.0	40.25	50.0	56.0	62.0	68.0	/
	mm	451	508	578	673	914	1022	1270	1422	1575	1727	/
A3 (RTJ)	in	17.87	20.25	23.0	26.88	36.5	40.87	50.88	56.88	/	/	/
	mm	454	514	584	683	927	1038	1292	1445	/	/	/
H2	in	9.6	10.4	10.6	12.5	15.7	22.0	24.8	27.5	33.9	35.4	39.4
	mm	245	264	270	318	400	559	629	699	860	899	1000
WGT (RF)	lb	187.4	260.2	341.8	628.4	1653.8	2976.8	4740.8	6615.0	9216.9	11157.3	16493.4
	kg	85	118	155	285	750	1350	2150	3000	4180	5060	7480
WGT (BW)	lb	110.3	154.4	187.4	363.8	1014.3	1984.5	2866.5	3969.0	5402.3	7056.0	8930.3
	kg	50	70	85	165	460	900	1300	1800	2450	3200	4050